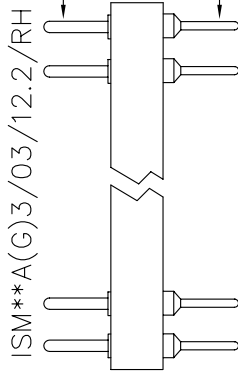
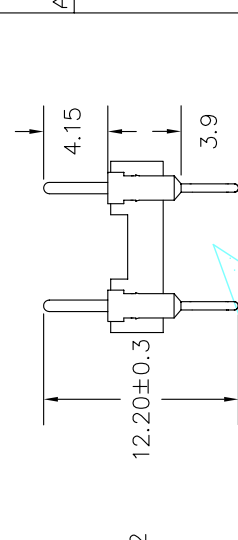


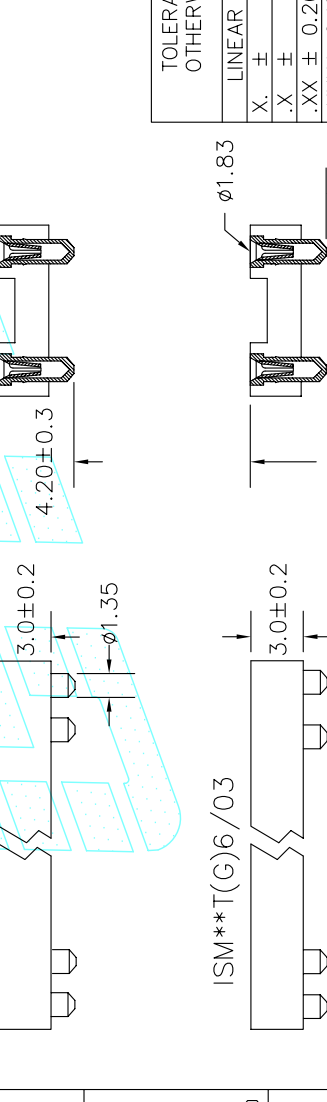
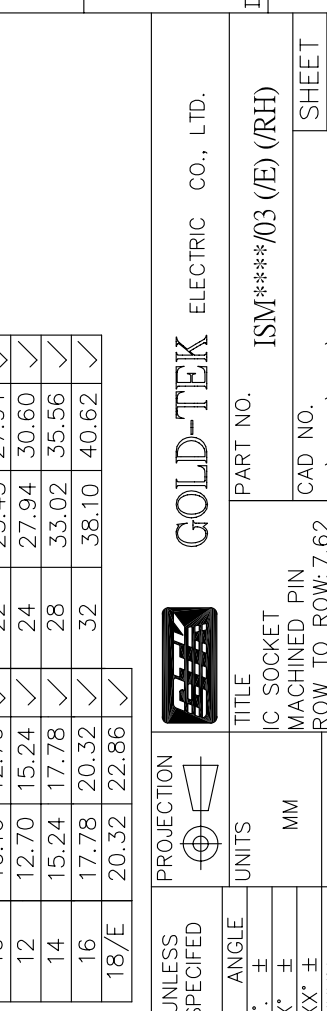
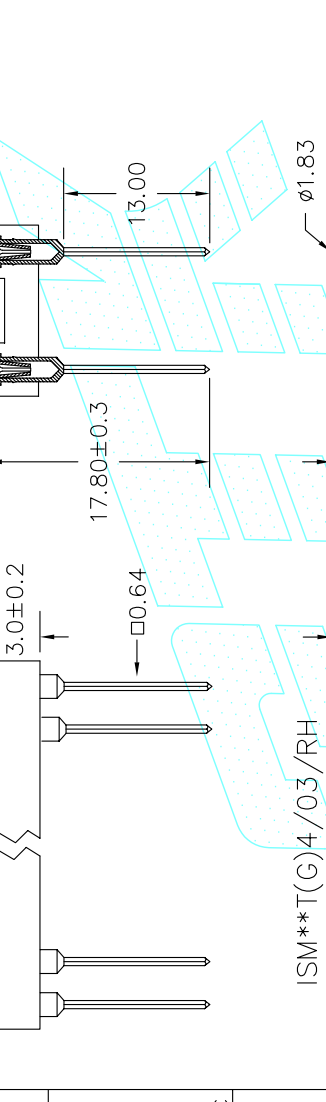
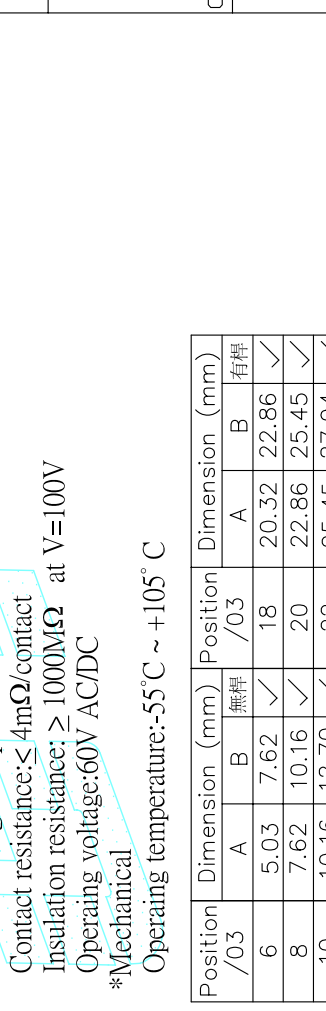
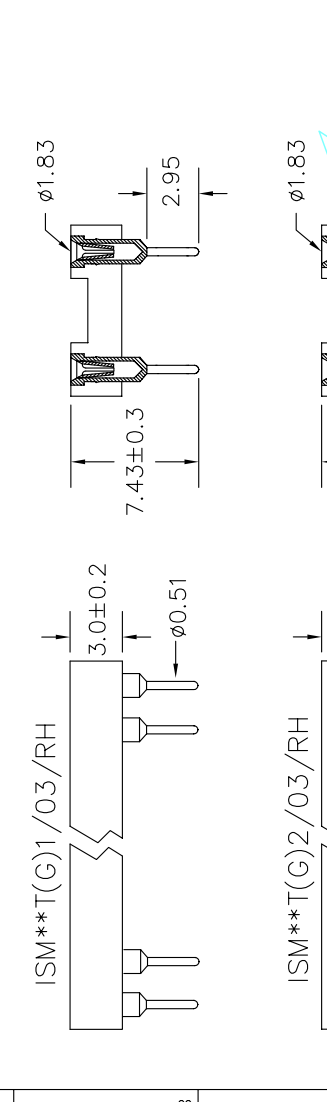
REV	ECN NO.	DESCRIPTION	DATE
A	GTKSD0612	RELEASE	JUN.05'05
B		MODIFY DIM.	AUG.08.07

**ROHS COMPLIANT**



**Technical Data**

- \*Material: Pin(out sleeve): Brass, Machined; Clip(contact 4/6 finger): Beryllium Copper, heat treated; Plating(out sleeve): Tin Plated: 2um/80u" nickel, 5um/200u" Tin; Gold plated: 2um/80u" nickel, full gold
- Plating(contact): 2um/80u" Ni, Gold or Tin plated
- Insulator(black): Glass filled thermoplastic polyester UL94V-0
- \*Electrical: Current rating: 3Amps/contact max.; Contact resistance:  $\leq 4m\Omega$ /contact; Insulation resistance:  $\geq 1000M\Omega$  at V=100V
- \*Mechanical: Operating voltage: 60V AC/DC; Operating temperature:  $-55^{\circ}C \sim +105^{\circ}C$



Position /03	Dimension (mm)		Position /03	Dimension (mm)	
	A	B		A	B
6	5.03	7.62	18	20.32	22.86
8	7.62	10.16	20	22.86	25.45
10	10.16	12.70	22	25.45	27.94
12	12.70	15.24	24	27.94	30.60
14	15.24	17.78	28	33.02	35.56
16	17.78	20.32	32	38.10	40.62
18/E	20.32	22.86			

TOLERANCE UNLESS OTHERWISE SPECIFIED		PROJECTION		GOLD-TEK ELECTRIC CO., LTD.	
LINER	ANGLE			PART NO. ISM***03 (E) (RH)	
X. ±	X' ±	UNITS	TITLE		CAD NO.
X. ±	X' ±	MM	IC SOCKET MACHINED PIN		F: \Drw\PH\PH-0111
.XX ± 0.20	.XX ±	SCALE	ROW TO ROW: 7.62		SHEET 1 OF 1
.XXX ± 0.15	.XXX ±	SIZE	CPART NO		
APPD					
CHKD					
DRAW	Tao, Tao	AUG.08.2007			

圖面編號: GTKSD0201-B(1)